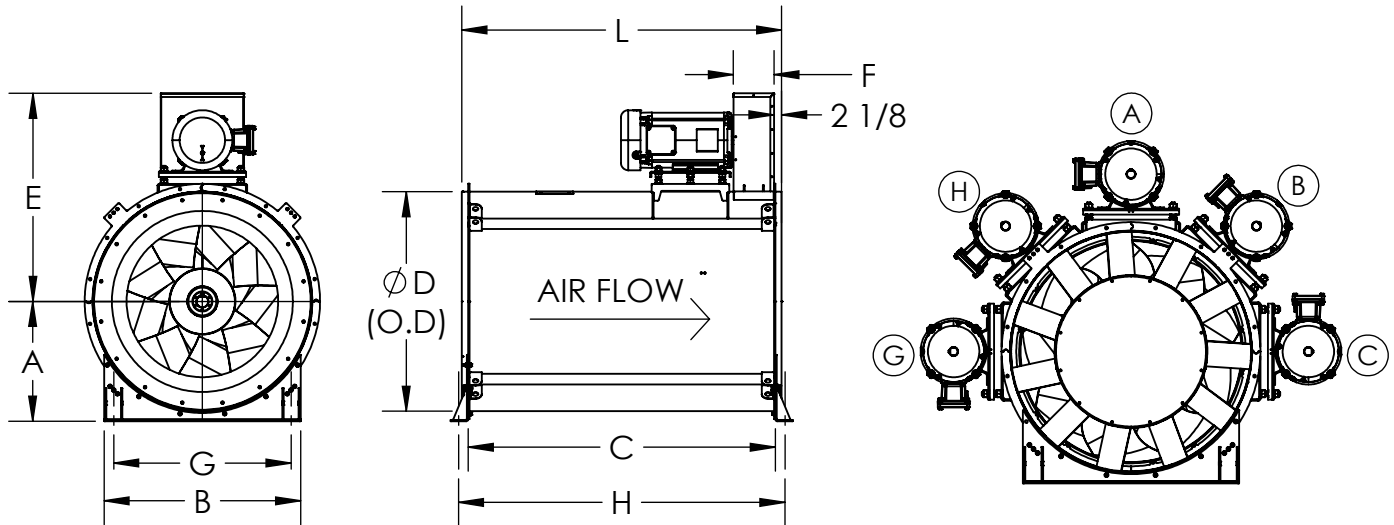




DATE: TAG:  
 JOB:  
 PROJECT:  
 COMPANY:  
 SALES PERSON:

MXI-ARRANGEMENT-9, LEVEL 2,  
 HORIZONTAL BASE MOUNT



**INLET VIEW**

**MOTOR POSITIONS AVAILABLE  
 (DISCHARGE VIEW)**

**Standard Construction:**

- 1. High Efficiency Welded Mixed Flow Wheel
- 2. Welded Guide Vanes
- 3. Bearing Tunnel
- 4. Bearing- L10 Life of 80K Hours
- 5. Adjustable or Constant Drive Kit
- 6. Adjustable Motor Base
- 7. Belt Guard
- 8. Bolted Mounting Feet
- 9. 1045 TG&P Shaft
- 10. Extended Lube Lines

**Accessories:**

- 1. Bearing- L10 Life of 200K Hrs (Excludes MXI-AF.)
- 2. AMCA B Spark Resistant Construction
- 3. AMCA C Spark Resistant Construction
- 4. Mounting Rails
- 5. Vibration Isolators
- 6. Belt Tunnel
- 7. Motor/Weather Cover
- 8. Piezo Ring
- 9. Disconnect Switch
- 10. Access Door- Hinged or Bolted
- 11. Copper Lube Lines
- 12. Shaft Seal
- 13. Inlet and/or Outlet Flange
- 14. Inlet and/or Outlet Guard
- 15. Companion Flange
- 16. Drain
- 17. Flexible Duct Connector

**DIMENSIONAL DATA**

Size	A*	B	C	D	E	F	G	H	L	MAX MTR FRAME SIZE	MXI FAN WEIGHT (LESS MOTOR) (LBS)	MXI-AF FAN WEIGHT (LESS MOTOR) (LBS)
122	12 11/16	20 13/16	21 1/2	17 15/16	25 1/2	3 7/16	16 13/16	25 1/4	25 1/8	184T	236	237
135	14	22 1/8	24 3/16	19 13/16	26 3/4	3 3/4	18 1/8	27 15/16	27 13/16	184T	271	270
150	14 3/4	23 11/16	27 1/4	21 15/16	28 1/4	4 1/8	19 11/16	31 1/16	30 7/8	215T	320	324
165	15 5/16	24 3/4	30 3/8	23 7/16	29 7/8	4 1/2	20 3/4	34 1/8	33 15/16	215T	358	363
182	16 3/16	26 1/2	33 7/8	25 13/16	31 13/16	4 15/16	22 1/2	37 5/8	37 7/16	256T	468	473
200	17 1/16	28 5/16	37 9/16	28 3/8	33 11/16	5 3/8	24 5/16	41 5/16	41 3/16	256T	546	550
222	19 5/8	32 1/8	42 1/16	31 7/16	35 5/8	5 15/16	27 1/8	45 13/16	45 11/16	256T	673	666
245	20 7/8	34 7/16	46 13/16	34 11/16	38 7/8	6 1/2	29 7/16	52 1/16	50 7/16	286T	796	792
270	22 1/8	36 15/16	51 15/16	38 3/16	41 5/16	7 3/16	31 15/16	57 1/4	55 9/16	286T	936	945
300	24 3/4	40 5/8	58 1/8	42 7/16	42 13/16	7 15/16	35 5/8	63 7/16	61 3/4	286T	1154	1144
330	26 1/4	43 5/8	64 3/8	46 5/8	46 5/8	8 5/8	38 5/8	69 5/8	68	326T	1343	1355
365	29	47 5/8	71 1/2	51 5/8	52 1/4	9 9/16	42 1/8	77 1/16	75 1/8	365T	1878	1875
402	31 7/8	51 5/16	79 1/8	56 13/16	55 7/8	10 9/16	45 13/16	84 11/16	82 3/4	365T	2260	2218
445	34 5/16	56 5/16	88	62 7/8	59 5/8	11 5/8	50 13/16	93 1/2	91 5/8	405T	2732	2678
490	38 1/2	63 3/4	97 1/4	69 1/8	62 3/4	12 13/16	56 1/4	104 1/4	100 7/8	405T	3175	-
542	41 7/16	69 5/8	107 15/16	76 7/16	67 3/8	14 1/8	62 1/8	115	111 9/16	405T	3753	-
600	46 1/2	76 3/8	119 7/8	84 9/16	71 7/16	15 5/8	67 3/16	126 15/16	123 1/2	405T	4480	-

ALL DIMENSIONS ARE IN INCHES

\*Fans with motor positions B or H will need fan to be raised to clear lifting lugs.  
 (Sizes 122-150 excluded, 165-245 by 1", 270-365 by 2", 402-600 by 3")

REVISION:

FORM:

REPLACES: